



TCO₂C

CO₂ transmitters, air duct mounting

Measures the concentration of carbon dioxide in ducts.

Exempt from periodic calibration.

- Combined CO₂ transmitter and temperature sensor
- Infrared technology (NDIR)
- CO₂ concentration 0...2000 ppm
- Excellent long-term stability

Function

Detection and transduction of carbon dioxide and temperature values:

- 0...10 V, 0...5 V (for CO₂)
- passive sensor (for temperature)

Applications

Designed for air treatment systems in domestic areas and commercial buildings.

Technical data

SUPPLY VOLTAGE	15...35 V DC / 24 V AC \pm 10% 50-60 Hz
CO₂ SENSOR TYPE	NDIR (Non-Dispersive Infrared Technology)
ACCURACY CO₂	\pm (50 ppm +2% of the measuring value)
LONG TERM STABILITY	\pm 20 ppm/year
CO₂ SAMPLING	15 s
MAX AIR SPEED	10 m/s
VOLTAGE OUTPUT	0...10 V DC or 0...5 V DC, RL>10 kOhm
POWER CONSUMPTION	< 2.5 W
ENERGY	< 0.5 Wh
TRANSFORMER POWER	5 VA
WORKING RANGE, CO₂	0...2000 ppm
WORKING TEMPERATURE	0...+50 °C
WORKING HUMIDITY	10...90 % RH (non-condensing)
TEMPERATURE DEPENDENCE:	2 ppm CO ₂ /°C
STORAGE TEMPERATURE	-20...+70 °C
STORAGE HUMIDITY	< 95% RH
MATERIAL	cover: white polycarbonate base: gray polycarbonate
PROTECTION CLASS	IP65 connection box side, class III
WEIGHT	160 g

TYPE	DESCRIPTION	OUTPUT SIGNAL	ACCURACY °C
TCO2C	CO ₂	0...10 V	
TCO2C-05	CO ₂	0...5 V	
TCO2C-PT100	CO ₂ + PT100, 100 Ohm/0°C	0...10 V / ohm	\pm 0,3
TCO2C-PT1000	CO ₂ + PT1000, 1000 Ohm/0°C	0...10 V / ohm	\pm 0,3
TCO2C-NTC1.8	CO ₂ + NTC 1.8, 1800 Ohm/25°C	0...10 V / ohm	\pm 0,5
TCO2C-NTC2.2	CO ₂ + NTC 2.2, 2252 Ohm/25°C	0...10 V / ohm	\pm 0,2
TCO2C-NTC10-01	CO ₂ + NTC 10, 10 kOhm/25°C	0...10 V / ohm	\pm 0,2
TCO2C-NTC10-02	CO ₂ + NTC 10, 10 kOhm/25°C	0...10 V / ohm	\pm 0,3
TCO2C-NTC10-03	CO ₂ + NTC 10, 10 kOhm/25°C	0...10 V / ohm	\pm 0,25
TCO2C-NTC20	CO ₂ + NTC 20, 20 kOhm/25°C	0...10 V / ohm	\pm 0,2
TCO2C-Ni1000-01	CO ₂ + Ni1000, 1000 Ohm/0°C	0...10 V / ohm	\pm 0,5
TCO2C-Ni1000-02	CO ₂ + Ni1000, 1000 Ohm/0°C	0...10 V / ohm	\pm 0,5
ACCESSORY	DBZ-22 - Mounting bracket for air duct transmitters TCO2C		

Note: the transmitters model TCO2C are supplied with mounting bracket model DBZ-22

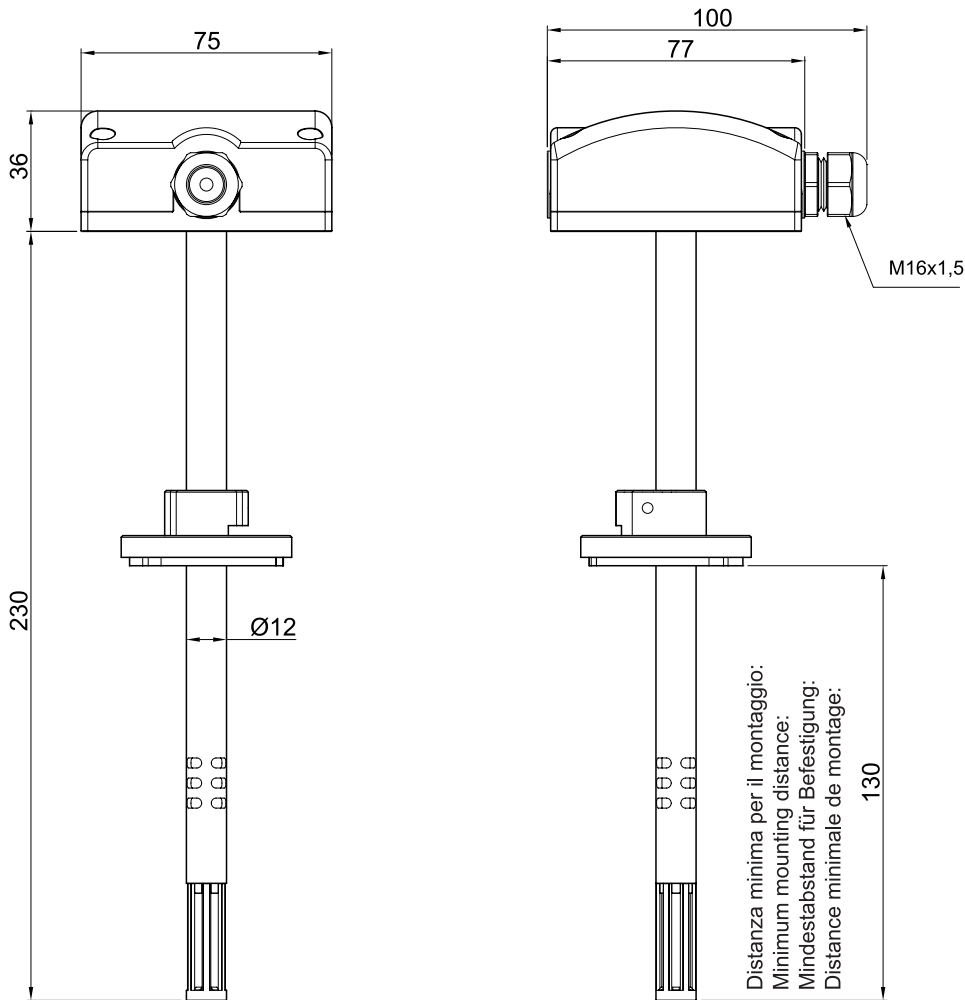
MAIN OFFICE BRESSANONE

I-39042 Bressanone (BZ) tel: +39 0472 830626
via Julius-Durst-Str. 70 fax: +39 0472 831840
VAT No. IT02748450216 www.industrietechnik.it

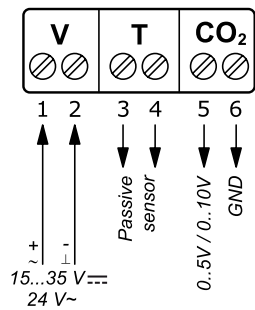
TCO2C

- 2 -

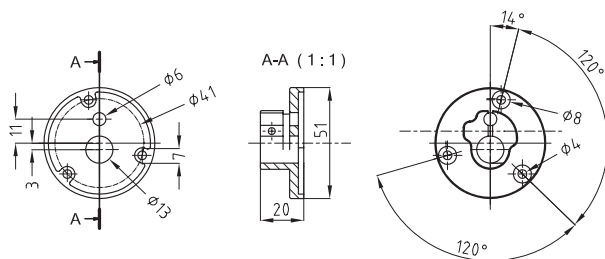
Dimensions (mm)



Electrical diagram



Mounting bracket



sales@ibc.ie (ROI/INTL.)
bill@ibc.ie (NI/UK)

MAIN OFFICE BRESSANONE

I-39042 Bressanone (BZ)
via Julius-Durst-Str. 70
VAT No. IT02748450216

tel: +39 0472 830626
fax: +39 0472 831840
www.industrietechnik.it

TCO2C

- 3 -

