

05

SENSORS

Contents

Sensors

Temperature & Humidity

Industrie Technik	73
Sontay	81
IBC	91
Axio	92
Alre	93

Light & Occupancy

Sontay	94
Axio	95

Air Pressure & Velocity

Air Monitor	96
Sontay	97

Liquid Level, Flow & Pressure

Sontay	101
--------	-----

Power Sensors

Grystone, ACI, Functional Devices Inc.	105
--	-----



Click the page number to
Navigate to the relevant page

Temperature & Humidity

ROOM HUMIDISTAT

Electromechanical humidistat for room mounting with synthetic element.

Technical data	
Sensor element	Synthetic element
Switch capacity	Humidify: 2 (1) A, 230 V AC Dehumidify: 5 (1) A, 230 V AC
Setpoint	30...100 % RH
Dimensions	115 x 70 x 35 mm
Protection class	IP20

Part Number	Hidden setpoint
DBZH-101	-
DBZH-101U	X

ROOM HUMIDISTAT

Electromechanical humidistat with a synthetic element. The setpoint knob can be locked.

Technical data	
Sensor element	Synthetic element
Output	One, 230 V AC, 5 A, change-over
Setpoint	35...95 % RH
Dimensions	86 x 86 x 30 mm
Protection class	IP30

Part Number	Description
DBZH-102	Room humidistat, 1-step

DUCT HUMIDISTAT

Humidistat to be mounted in the duct.

Technical data	
Sensor element	Synthetic element
Switch capacity	15 (2) A, 230 V AC 0.25 A, 230 V DC
Humidity range	30...100 % RH
Tube length	220 mm
Material, tube	Nickel-plated brass, perforated
Dimensions	108 x 70 x 72 mm

Part Number	Hidden setpoint	Protection class
DBKH-10	-	IP54
DBKH-10U	X	IP65





DUCT/WALL HUMIDISTAT

Electromechanical humidistat with change-over contact.

Technical data

Sensor element	Human hair
Output	10 A, 250 V AC, change-over
Setpoint	10...100 % RH
Dimensions	80 x 85 x 88 mm
Protection class	IP54
Mounting	Duct or Wall
Hysteresis	3 % RH

Part Number	Description	Output	Step differential
DBKH-10H	Duct/wall humidistat	1-step	-
DBKH-20H	Duct/wall humidistat	2-step	0...25 % RH

HUMIDITY TRANSMITTER FOR ROOM MOUNTING, OUTPUT 0...10 V, IP30

Transmitters for relative humidity and temperature measurement. They have good long-term stability and are resistant to contamination.

Technical data

Supply voltage	24 V AC \pm 10% / 15...35 V DC
Output signal	0...10 V DC or Modbus
Working range, humidity	0...100 % RH
Accuracy, humidity	\pm 3 % RH at 20 °C
Dimensions	100 x 85 x 30.5 mm
Protection class	IP30
Working range, temperature	0...50 °C
Working range, humidity	0...100 % RH

Part Number	Output signal	Display
TUA-M	Modbus	-
TUA-D-M	Modbus	X
TUA	-0...10 V DC	-
TUA-D	0...10 V DC	X



IBC stock over 2500 products ready for immediate delivery



Serving the (BMS & HVAC) Industry since 2005

HUMIDITY TRANSMITTER FOR ROOM MOUNTING, OUTPUT 4...20 MA, IP30

Technical data	
Supply voltage	Max 28 V DC, Min (11+(0,02xRL)) V DC
Output signal	4...20 mA (2 wire)
Accuracy, humidity	±3 % RH at 20 °C
Dimensions	100 x 85 x 30.5 mm
Protection class	IP30
Power consumption	0,6 W
Ambient temperature	0...50 °C
Ambient humidity	0...95% RH (non condensing)
Working range, humidity	0...100 % RH (non condensing)
Accuracy, humidity	±3 % RH at 20 °C

Part Number	Display
TUA-C	-
TUA-CD	X

HUMIDITY AND TEMPERATURE TRANSMITTER FOR ROOM MOUNTING, 4...20 MA

Technical data	
Supply voltage	Max. 28 V DC, Min. 11+(0.02xRL) V DC
Output signal	4...20 mA (2 wire)
Accuracy, humidity	±3% RH at 20 °C
Accuracy, temperature	±0.5°C at 20°C
Dimensions (WxHxD mm)	100 x 85 x 30.5
Protection class	IP30
Power consumption	1.2 W
Ambient temperature	0...50 °C
Ambient humidity	0...95 % RH (non-condensing)
Humidity range	0...100 % RH

Part Number	Display
TTUA-C	-
TTUA-CD	X



Speak with our expert
BMS engineers today



Online training available
please speak with our team

Contact our Rol sales team on +353 (0)1 457 5421 or email sales@ibc.ie



HUMIDITY TRANSMITTER FOR ROOM MOUNTING, OUTPUT 4...20 MA, IP30

Technical data

Supply voltage	24 V AC $\pm 10\%$ / 15...35 V DC
Working range, temperature	0...50 °C
Working range, humidity	0...100 % RH
Accuracy, humidity	$\pm 3\%$ RH at 20°C
Dimensions	100 x 85 x 30.5 mm
Protection class	IP30

Part Number	Description	Display	Output signal	Accuracy, temperature
TTUA	RH + °C	-	0...10 V + 0...10 V	$\pm 0.4\text{ °C}$
TTUA-PT100	RH + PT100, 100 Ohm (0°C)	-	0...10 V + ohm	$\pm 0,3\text{ °C}$
TTUA-PT1000	RH + PT1000, 1000 Ohm (0°C)	-	0...10 V + ohm	$\pm 0,3\text{ °C}$
TTUA-D	RH + °C	X	0...10 V + 0...10 V	$\pm 0.4\text{ °C}$
TTUA-D-PT100	RH + PT100, 100 Ohm/0°C	X	0...10 V + ohm	$\pm 0,3\text{ °C}$
TTUA-D-PT1000	RH + PT1000, 1000 Ohm (0°C)	X	0...10 V + ohm	$\pm 0,3\text{ °C}$
TTUA-M	RH + °C	-	Modbus	$\pm 0.4\text{ °C}$
TTUA-D-M	RH + °C	X	Modbus	$\pm 0.4\text{ °C}$

TEMPERATURE TRANSMITTER FOR ROOM MOUNTING, 0...10 V AND MODBUS

Technical data

Supply voltage	24 V AC $\pm 10\%$ / 15...35 V DC
Display	4 digit
Dimensions 100 x 85 x 30.5 mm	100 x 85 x 30.5 mm
Protection class	IP30

Part Number	Output signal	Accuracy	Display
TTA	0...10 V DC	$\pm 0.4\text{ °C}$	-
TTA-D	0...10 V DC	$\pm 0.4\text{ °C}$	X
TTA-M	Modbus	$\pm 0.4\text{ °C}$	-
TTA-D-M	Modbus	$\pm 0.4\text{ °C}$	X



Speak with our team
about any large projects



Order before 2pm for
same day dispatch

TEMPERATURE TRANSMITTER FOR ROOM MOUNTING, 4...20 MA

Technical data		
Supply voltage	Max. 28 V DC, Min. 11+(0.02xRL) V DC	
Accuracy, temperature	±0.5°C at 20°C	
Dimensions (WxHxD mm)	100 x 85 x 30.5	
Protection class	IP30	

Part Number	Output signal	Display
TTA-CD	4...20 mA (2 wires)	X (4 digits)
TTA-C	4...20 mA (2 wires)	-

WALL THERMOSTAT, IP65

High quality thermostats for use in cooling, heating and ventilation systems.

Technical data					
Sensor element	Liquid-filled coiled copper bulb				
Switch capacity	15 (8) A, 24...250 V AC				
Dimensions	108 x 70 x 72 mm				
Weight	450 g				
Protection class	IP65				

Part Number	Temperature range	Steps	Hysteresis	Step diff.	Hidden setpoint
DBET-22	-30...+30 °C	1	2...15 K	-	-
DBET-22U	-30...+30 °C	1	2...15 K	-	X
DBET-23	-30...+30 °C	1	1 K	-	-
DBET-22/2	-30...+30 °C	2	1 K	2...5 K	-
DBET-26	0...60 °C	1	2...15 K	-	-
DBET-27	0...60 °C	1	1 K	-	-
DBET-26U	0...60 °C	1	2...15 K	-	X
DBET-26/2	0...60 °C	2	1 K	2...5 K	-
DBET-22/2U	-30...+30 °C	2	1 K	2...5 K	X
DBET-23U	-30...+30 °C	1	1 K	-	X
DBET-26/2U	0...60 °C	2	1 K	2...5 K	X
DBET-27U	0...60 °C	1	1 K	-	X



Large selection of Sensors in stock ready for delivery



Serving the (BMS & HVAC) Industry since 2005

Contact our Rol sales team on +353 (0)1 457 5421 or email sales@ibc.ie



DUCT THERMOSTAT, IP54

A range of high quality duct thermostats.

Technical data

Sensor element	Liquid-filled coiled copper bulb with 200 mm protection spring and mounting bracket
Switch capacity	TZ090U: NC 16 (6) A, 250 V AC, NO 6 (4) A, 250 V AC / TZR6585: NC 16 (2,5) A, 250 V AC, NO 0,5 A, 250 V AC
Insertion length	185 / Ø 21 mm
Dimensions	108 x 70 x 72 mm
Protection class	IP54

Part Number	Temperature range	Hysteresis	Max. bulb temp.	Function	Hidden setpoint
TZ090U	0...90 °C	4±1 K	120 °C	With SPDT contact	X
TZR6585	65...85 °C	20±5 K	125 °C	Manual maximum reset	-

ACCESSORIES

Part Number	Description
DBZ-25	Spiral protection bracket for capillary

Note: the thermostats are supplied with spiral protection bracket model DBZ-25.

The device can only be triarmed if the temperature falls below the setpoint minus the hysteresis value.

CLAMP-ON THERMOSTAT, IP65

Thermostats for use in cooling, heating and ventilation systems.

Technical data

Sensor element	Liquid-filled coiled copper bulb for contact
Switch capacity	15 (8) A, 24...250 V AC
Protection class	IP65 class I
Dimensions	108 x 70 x 72 mm

Part Number	Temperature range	Max. bulb temperature	Function
DBAT-3	0...60 °C	75 °C	-
DBAT-3U	0...60 °C	75 °C	X
DBAT-5	20...90 °C	95 °C	-
DBAT-5U	20...90 °C	95 °C	X



Speak with our team
about any large projects



Order before 2pm for
same day dispatch

IMMERSION THERMOSTATS, IP 54

Temperature control in pipes for heating, cooling and air conditioning systems, boilers and heaters. Temperature monitoring and safety protection with manual reset (2 stages).

Technical data	
Sensor element	Copper bulb with 120 mm brass pocket (on request with 200 mm length)
Dimensions	108 x 70 x 72 mm (2 stage models: 132 x 88 x 70 mm)
Protection class	IP54
Ambient temperature	-35...+65 °C
Ambient humidity	10...90 % RH (non-condensing)
Storage temperature	-20...+70 °C
Storage humidity	< 95 % RH
Switch capacity	With SPDT contact: NC 250 V AC 16 (6) A / NO 250 V AC 6 (4) manual maximum reset: NC 250 V AC 16 (2,5) A / NO 250 V AC 0,5 A

Part Number	Temp. range 1	Temp. range 2	Hysteresis range 1	Hysteresis range 2	Max. bulb temp.	Function	Hidden setpoint
TV090	0...90 °C	-	4 ± 1 K	-	120 °C	with SPDT contact	-
TV090U	0...90 °C	-	4 ± 1 K	-	120 °C	with SPDT contact	X
TVR6585	65...85 °C	-	20 ± 5 K	-	125 °C	manual maximum reset*	-
TVR90110	90...110 °C	-	20 ± 5 K	-	125 °C	manual maximum reset*	-
TV09090U	0...90 °C	0...90 °C	4 ± 1 K	4 ± 1 K	120 °C	with SPDT contact	X
TV090UR85	0...90 °C	65...85 °C	4 ± 1 K	20 ± 5 K	120 °C	manual maximum reset with SPDT contact*	-

* (unit can be reset only if temperature drops below the setpoint minus the hysteresis)

ACCESSORIES

Part Number	Description
DBZ-30/14	Brass pocket 120 mm, Ø external 8 mm, Ø internal 7 mm, connection R 1/2"
DBZ-40/14	Brass pocket 108 mm, Ø external 16 mm, Ø internal 15 mm, connection R 1/2"
DBZ-31/14	Stainless steel pocket AISI 304, 120 mm, Ø external 9 mm, Ø internal 7 mm, connection R 1/2"
DBZ-41/14	Stainless steel pocket AISI 304, 120 mm, Ø external 16 mm, Ø internal 15 mm, connection R 1/2"

Note: the thermostats are supplied with standard pocket models DBZ-30/14 and DBZ-40/14.



Speak with our expert
BMS engineers today



Online training available
please speak with our team

Contact our Rol sales team on +353 (0)1 457 5421 or email sales@ibc.ie



industrie
technik®



IMMERSION THERMOSTAT, IP65

High quality immersion thermostats for use in cooling, heating and ventilation systems.

Technical data

Sensor element	Liquid-filled coiled copper bulb
Switch capacity	15 (8) A, 24...250 V AC
Dimensions	108 x 70 x 72 mm
Protection class	IP65
Ambient temperature	-35...+65 °C
Ambient humidity	10...90 % RH (non-condensing)
Storage temperature	-40...+70 °C
Storage humidity	< 95 % RH
Contacts	Microswitches with SPDT contacts (heat/cool)
Casing	Bayblend® base, ABS cover

Part Number	Temp. Range	Hysteresis	Max Bulb Temp.	Hidden Setpoint
DBTV-1	-30...+30 °C	2...20 K	60 °C	-
DBTV-2U	-30...+30 °C	1 K	60 °C	X
DBTV-7	0...+60 °C	2...20 K	75 °C	-
DBTV-7U	0...+60 °C	2...20 K	75 °C	X
DBTV-8	0...+60 °C	1 K	75 °C	-
DBTV-8U	0...+60 °C	1 K	75 °C	X
DBTV-11	50...120 °C	1 K	140 °C	-
DBTV-16	+20...+90 °C	2...20 K	100 °C	-
DBTV-17	20...90 °C	1 K	100 °C	-
DBTV-17U	20...90 °C	1 K	100 °C	X
DBTV-18	20...90 °C	manual maximum reset	100 °C	-
DBTV-18U	20...90 °C	manual maximum reset	100 °C	X

ACCESSORIES

Part Number	Description
DBZ-16/14	Brass pocket 120 mm, Ø external 10 mm, Ø internal 8,5 mm, connection R 1/2"
DBZ-17/14	Stainless steel pocket AISI 304, 120 mm, Ø external 10 mm, Ø internal 8,5 mm, connection R 1/2"

Note: The thermostats are supplied with standard pocket model DBZ-16/14. The device can only be reset if the temperature falls below the setpoint minus the hysteresis.



Large selection of Sensors in stock ready for delivery



Serving the (BMS & HVAC) Industry since 2005

RH-S - SPACE RELATIVE HUMIDITY AND TEMPERATURE SENSOR

A valuable feature of this sensor is when in 3-wire mode it automatically detects what the controller input is set to, 4-20mA or 0-10Vdc. This removes the requirement for output jumpers that can be inadvertently set incorrectly. 2-wire loop powering selectable via DIP switch. It also provides on board LED indication for power status and fault find.

FEATURES

- High stability and reliability
- Auto detection 0-10Vdc or 4-20mA outputs, loop powering via DIP
- Direct thermistor option available
- LCD display and user interface options
- Easy installation: Two part, push-in spring terminal blocks

Part Number	Description
RH-S	Space Mounted T and RH Sensor $\pm 3\%$
RH-S-EN	Space Mounted Enthalpy and Dewpoint Sensor

Part Number	Description
RH-S-AH	Space Mounted T and RH Sensor High Accuracy $\pm 2\%$

Part Number	Description
-T*	Direct resistive temperature output
-SP	11-1k Ω /0-10k Ω setpoint
-MS	Momentary switch
-LCD	Integral LCD display
-TR	Custom temperature output range
-5V	0 - 5V option
-BLK**	Black space housing

Suffixes (add to part code)

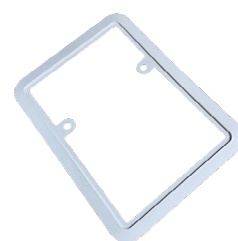
ACCESSORIES

Part Number	Description
DECOR	Decorators trim plate
GASKET	Insulating gasket (pack of 10)

Note:

1. *-T version uses a thermistor element for direct measurement of temperature. Please specify thermistor type when ordering.
2. When using the -x option, they are not compensated for internal heating.
3. Please see pages 83-85 for Thermistor Types and Compatibility Chart.
4. RH-S-EN outputs only enthalpy and dewpoint values.
5. **Plain Front, no user interface options available (SP/MS/LCD)

Sontay®



Speak with our team
about any large projects



Order before 2pm for
same day dispatch



RH - DUCT, WALL, OUTSIDE AND REMOTE PROBE RELATIVE HUMIDITY AND TEMPERATURE SENSOR

A valuable feature of this sensor is when in 3-wire mode it automatically detects what the controller input is set to, 4-20mA or 0-10Vdc. This removes the requirement for output jumpers that can be inadvertently set incorrectly. 2-wire loop powering selectable via DIP switch. It also provides on board LED indication for power status and fault find. provided.

Part Number	Description
RH-D	Duct Mounted T and RH Sensor $\pm 3\%$
RH-D-AH	Duct Mounted T and RH Sensor High Accuracy $\pm 2\%$
RH-D-EN	Duct Mounted Enthalpy and Dewpoint Sensor

Part Number	Description
RH-W	Wall Mounted T and RH Sensor $\pm 3\%$
RH-W-AH	Wall Mounted T and RH Sensor $\pm 2\%$
RH-W-EN	Wall Mounted Enthalpy and Dewpoint Sensor

Part Number	Description
RH-O	Outside Mounted T and RH Sensor $\pm 3\%$
RH-O-AH	Outside Mounted T and RH Sensor $\pm 2\%$
RH-O-EN	Outside Mounted Enthalpy & Dewpoint Sensor

Part Number	Description
RH-R	Remote probe T and RH Sensor $\pm 3\%$
RH-R-AH	Remote probe T and RH Sensor $\pm 2\%$
RH-R-EN	Remote probe Enthalpy & Dewpoint Sensor

Part Number	Description
-T*	Direct resistive temperature output
-TR	Custom temperature output range
-LCD	Integral LCD display

Suffixes (add to part code)

ACCESSORIES

Part Number	Description
-DPA	Duct probe adjustment flange (for RH-D only)

Note:

- * -T version uses a thermistor element for direct measurement of temperature. Please specify thermistor type when ordering.
- Please see pages 85-88 for Thermistor Types and Compatibility Chart.
- EN versions only output enthalpy and dewpoint values.

RH-SH - HUMIDISTATS

RH-SH humidistats are designed for the on/off control of humidification and dehumidification equipment, or the initiation of alarms or override controls.

Part Number	Description
Room Humidistats	
RH-SH-1R	Single-stage, concealed setpoint adjust.
RH-SH-1RE	Single-stage, exposed setpoint adjust.
Duct Humidistats	
RH-SH-1D	Single-stage, concealed setpoint adjust.
RH-SH-1DE	Single-stage, exposed setpoint adjust.

ST - GENERAL PURPOSE THERMOSTATS

Sontay's range of thermostats are well suited for a number of applications of temperature control or safety cut-out in pipe work systems, calorifiers, duct work systems, green houses and many other installations. They all have the set-point adjustment under the cover to prevent unauthorised tampering.

THEY ARE AVAILABLE IN TWO TYPES

Control thermostats (auto reset): With an adjustable set point, adjustable differential and auto rest, which provides a switched output to a heater or controller.

Safety thermostats (manual reset): With an adjustable set-point, fixed differential and manual reset, which provides high limit cut-out on boilers etc.

Part Number	Description	
Capillary		
ST-C-01M	50 to 140°C	Manual Reset
RH-SH-1RE	Single-stage, exposed setpoint adjust.	
Duct		
ST-D-01A	-35 to +35°C	Auto Reset
ST-D-02A	0 to 90°C	Auto Reset
ST-D-03A	-30 to +30°C	Auto Reset
ST-D-04M	0 to +90°C	Manual Reset
Immersion		
ST-I-01A	0 to 120°C	Auto Reset
ST-I-02M	0 to 110°C	Manual Reset
ST-I-03M	20 to 90°C	Manual Reset
Wall		
ST-W-01A	-30 to +30°C	Auto Reset
Strap-on		
ST-S-02A	0 to 90°C	Auto Reset

ACCESSORIES

Part Number	Description
ST-IMM-PKT	Replacement stainless steel pocket (ST-I range only)

Sontay®





ST-FRE - CAPILLARY FROST THERMOSTATS

The ST-FRE range of frost thermostats provide a switch output based on the average temperature detected along a two or six metre capillary sensor. A common application is for frost protection on fresh air intakes or airconditioning systems, to prevent the icing up of filters, fans and coils. The capillary is fixed in a matrix across

Part Number	Description
IP44 Thermostat	
ST-FRE-1	Auto reset, 6m capillary, Frost Thermostat
ST-FRE-2	Manual reset, 6m capillary, Frost Thermostat
ST-FRE-3	Auto reset, 2m capillary, Frost Thermostat
ST-FRE-4	Manual reset, 2m capillary, Frost Thermostat

Part Number	Description
IP65 Housing and Thermostat	
ST-FRE-1-IP65	Auto reset, 6m capillary, Frost Thermostat
ST-FRE-2-IP65	Manual reset, 6m capillary, Frost Thermostat
ST-FRE-3-IP65	Auto reset, 2m capillary, Frost Thermostat
ST-FRE-4-IP65	Manual reset, 2m capillary, Frost Thermostat

ACCESSORIES

Part Number	Description
ST-DFK	Pack of six additional plastic capillary fixing clips
BRK	Mounting bracket for ST-FREx

ST-TY - SPACE THERMOSTATS

The ST-TY series of wall mounting space thermostats are suitable for heating and/or cooling and frost protection applications.

Part Number	Description	Range
ST-TY92-C1	Heating Thermostat	5 to 35°C
ST-TY92-C1F	Frost Thermostat	-5 to +15°C
ST-TY92-C3	Heating or Cooling Thermostat	5 to 35°C
ST-TY92-C3T	Heating or Cooling Tamperproof	5 to 35°C



Speak with our team
about any large projects



Order before 2pm for
same day dispatch

TT-518 - THIMBLE SENSORS

Thimble temperature sensors are used for measuring air temperature in indoor spaces. The sensing element is mounted in an attractive 'thimble' enclosure for surface mounting, typically on a backplate or a ceiling tile.

Part Number	Description
Passive Output	
TT-518-A	10K3A1, Trend, Cylon, Distech, Heatmiser
TT-518-C	20K6A1, Honeywell
TT-518-M	2.2K3A1, Johnson Controls
Active Output	
TT-518-CVO	Selectable: 4-20mA/0-10Vdc * Output ranges: -10 to +40°C or -10 to +110°C (selectable)
TT-518-CVO-C	Selectable: 4-20mA/0-10Vdc (custom temp, scaling) *, Scaled to customer specification in the range of -10 to +60°C

Compatibility with other manufacturers is available

Part Number	Description
-AL	Aluminium thimble
-SS	Stainless steel thimble
-BLK	Black Thimble
-BR	Brass thimble
-5M	5m cable length
-LSZH	Low Smoke Zero Halogen option

Suffixes (add to part code)

Note:

* These units are supplied with the transmitter in the plant housing.

UI-500 - INTERFACE OPTIONS

INDIVIDUAL SOLUTIONS

In addition to our standard range of sensors we are able to manufacture user interface equipment to your specifications. Typically this would be a single or twin gang plate styled to match other equipment on a project. We can fit a large range of devices to UI-500 products including sensors, setpoint adjustments and LCDs.

UI-AA-I-F - ALARM ANNUNCIATORS

The UI-AA-I-F is used in conjunction with one analogue or VFC signals to provide local audible and visual alarm facilities.

Part Number	Description
UI-AA-1-F	1-channel Interface Panel

Sontay[®]



Speak with our expert
BMS engineers today



Online training available
please speak with our team



TT-D - DUCT SENSORS

The TT-D are used to measure air temperature in ducts. The sensing element is fitted into a stainless steel probe. A flange plate is available for adjustment of penetration depth (order as TT-DFP).

Part Number	Description
Passive Output	
TT-D-A	10K3A1, Trend, Cylon, Distech
TT-D-C	20K6A1, Honeywell
TT-D-M	2.2K3A1, Johnson Controls
Active Output	
TT-D-CVO	Selectable: 4-20mA/0-10Vdc Output ranges: -10 to +40°C or -10 to +110°C (selectable)
TT-D-CVO-C	Selectable: 4-20mA/0-10Vdc (custom temp. scaling), Scaled to customer specification in the range of -10 to +100°C

Compatibility with other manufacturers is available

ACCESSORIES

Part Number	Description
TT-DFP	Duct flange plate

Part Number	Description
-65	65mm Probe length
-250	250mm Probe length

Suffixes (add to part code)

TT-DA - DUCT AVERAGING SENSORS

The TT-DA temperature sensors are used for measuring temperature in ducts where an average reading across the air flow is required. Sensing elements are housed in a nylon tube, and spaced at intervals along the standard 2.2m length.

Part Number	Description
Passive Output	
TT-DA-A	10K3A1, Trend, Cylon, Distech
TT-DA-C	20K6A1, Honeywell
TT-DA-G	Ni1000A/TCR (LAN1), Siemens
TT-DA-M	2.2K3A1, Johnson Controls
Active Output	
TT-DA-CVO	Selectable: 4-20mA/0-10Vdc Output ranges: -10 to +40°C or -10 to +110°C - selectable
TT-DA-CVO-C	Selectable: 4-20mA/0-10Vdc (custom temp. scaling), Scaled to customer specification in the range of -10 to +100°C

Compatibility with other manufacturers is available

Part Number	Description
-5M	5m cable length

Suffixes (add to part code)

TT-O - OUTSIDE AIR SENSORS

The TT-O range are used for measuring outside air temperature. The sensors are housed in IP65 rated enclosures. The TT-O should always be situated in a sheltered position on a north facing wall.

Part Number	Description
Passive Output	
TT-O-A	10K3A1, Trend, Cylon, Distech
TT-O-C	20K6A1, Honeywell

Compatibility with other manufacturers is available

TT-OR - OUTSIDE AIR SENSORS WITH RADIATION SHIELD

The TT-OR has the element fitted into a PTFE radiation shield, designed to provide fast response times to changes in outside air temperature and to protect the element from the effects of direct sunlight.

Part Number	Description
Passive Output	
TT-OR-A	10K3A1, Trend, Cylon, Distech
TT-OR-C	20K6A1, Honeywell

Compatibility with other manufacturers is available

TT-I - IMMERSION SENSORS

Immersion sensors are used for measuring the temperature of liquids in pipework. The sensing element is housed in a stainless steel probe fitted to an IP65 rated enclosure, for direct mounting into TT-PO-521 or TT-PO-HP range of stainless steel pockets

Part Number	Description
Passive Output	
TT-I-A	10K3A1, Trend, Cylon, Distech
TT-I-C	20K6A1, Honeywell

Compatibility with other manufacturers is available

Part Number	Description
-65	65mm probe length
-100	100mm probe length
-250	250mm probe length

Suffixes (add to part code)

Sontay®



Speak with our expert
BMS engineers today



Online training available
please speak with our team



TT-C - CLAMP-ON SENSORS

The TT-C is used to measure pipe temperature, the sensor is housed in a 50mm long probe with two METERS of PTFE 2-core cable as standard connecting the probe to an IP65 housing for termination.

Part Number	Description
Passive Output	
TT-C-A	10K3A1, Trend, Cylon, Distech
TT-C-C	20K6A1, Honeywell

Compatibility with other manufacturers is available

ACCESSORIES

Part Number	Description
BAND	Additional Metal Band

Part Number	Description
-5M	5m cable length

Suffixes (add to part code)

TT-555 - FLYING LEAD SENSORS

The TT-555 is used to measure air temperature in fan-coil units as well as many other applications. The standard cable length is two metres of 2-core screened cable with a 5 meter option. Longer lengths can be made to order.



Part Number	Description
Passive Output	
TT-555-A	10K3A1, Trend, Cylon, Distech
TT-555-C	20K6A1, Honeywell
TT-555-M	2.2K3A1, Johnson Controls
Active Output	
TT-555-CVO	Selectable: 4-20mA/0-10Vdc * Output ranges: -10 to +40°C or -10 to +110°C (selectable)
TT-555-CVO-C	Selectable: 4-20mA/0-10Vdc (custom temp. scaling) *, Calibration to customer specification in the range of -10 to +60°C

* These units are supplied with the transmitter in the plant housing.

Compatibility with other manufacturers is available

Part Number	Description
-5M	5m cable length
-LSZH	Low Smoke Zero Halogen option
-R	Cap potted (waterproof)

Suffixes (add to part code)

TT-CD - DIRECT CLAMP-ON SENSORS

The TT-CD clamp-on sensor is used for direct connection to measure pipe temperature. The sensing element is enclosed in a moulded nickel contact bar on the underside of the main housing.

Part Number	Description
Passive Output	
TT-CD-A	10K3A1, Trend, Cylon, Distech
Active Output	
TT-CD-CVO	Selectable: 4-20mA/0-10Vdc Output ranges: -10 to +40°C or -10 to +110°C (selectable)
TT-CD-CVO-C	Selectable: 4-20mA/0-10Vdc (custom temp. scaling), Calibration to customer specification in the range of -10 to +100°C

Compatibility with other manufacturers is available

ACCESSORIES

Part Number	Description
BAND	Additional Metal Band

TT-S - SPACE SENSOR

This range of innovative space sensors is designed to meet the exacting standards of today's architects, specifiers and building owners.

Part Number	Description
Passive Output	
TT-S-A	10K3A1, Trend, Cylon, Distech
Active Output	
TT-S-ACT	Selectable: 4-20mA/0-10Vdc, output range 0 to 40°C
TT-S-ACT-TR	Selectable: 4-20mA/0-10Vdc, custom temp. scaling between -10 to +50°C

Compatibility with other manufacturers is available

Part Number	Description
-SP	2-wire, 11-1kΩ/0-10Ω setpoint
-MS	Momentary switch
-LCD *	Integral display
-LEDG **	24V Green LED
-BLK ***	Black housing

Suffixes (add to part code)

* Only available on -ACT types

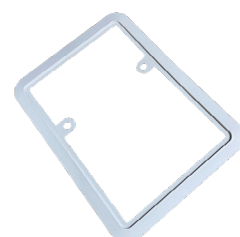
** Not available on -ACT types

*** Plain front, no user interface options available (SP/MS/LCD/LEDG)

ACCESSORIES

Part Number	Description
DECOR	Decorators trim plate
GASKET	Insulating gasket (pack of 10)

Sontay®





TT-BB - BLACK BULB SENSOR

Comfort temperature measurement can be best achieved by taking into account the radiant effect of surfaces within the controlled space. The comfort temperature is specified as the average of the conductive temperature and the radiant temperature.

Part Number	Description
Passive Output	
TT-BB-A	10K3A1, Trend, Cylon, Distech

Compatibility with other manufacturers is available

Part Number	Description
-SP	2-wire, 11-1k Ω /0-10 Ω setpoint
-MS	Momentary switch
-LEDG	24V Green LED
-BLK *	Black housing

Suffixes (add to part code)

* Plain front, no user interface available (SP/MS/LCD/LEDG)

ACCESSORIES

Part Number	Description
DECOR	Decorators trim plate
GASKET	Insulating gasket (pack of 10)

TT-CAL - CALIBRATION

In house calibration is available for Sontay's RH range of sensors using our state of the art environmental chamber. Sontay can provide test certificates for 3-point calibration, with additional points if required -CVO & -ACT types ONLY.

Part Number	Description
TT-CAL	3-Point calibration at 15, 25 & 35°C
TT-CAL-ADP	Additional calibration point, select between 0 & 70°C

TT-PO - IMMERSION SENSOR POCKETS

POCKETS THAT CAN WITHSTAND HIGHER PRESSURES AND FLOW RATES

TT-PO-521 and TT-PO-HP range of stainless steel pockets are for use with immersion sensors TT-I and TT-IH. The two part welded TT-PO-521 pockets are intended for low flow applications. They may be used in applications such as sumps or storage tanks or low flowing water in pipes.

For applications requiring installation in high flowing water, the TT-PO-HP should be used.

Part Number	Description	
TT-PO-521-65	Stainless Steel Immersion Pocket	65mm Pockets
TT-PO-521-100	Stainless Steel Immersion Pocket	100mm Pockets
TT-PO-521	Stainless Steel Immersion Pocket	150mm Pockets
TT-PO-HP	High Performance Stainless Steel Immersion Pocket	
TT-PO-521-250	Stainless Steel Immersion Pocket	250mm Pockets
TT-PO-HP-250	High Performance Stainless Steel Immersion Pocket	250mm Pockets

IMMERSION TEMPERATURE SENSORS

A direct output temperature sensor used for measuring liquid temperature in pipes.

Part Number	Description
IBC-TB/TI-S	Trend/Honeywell/Thorn/New Cylon Systems 10k3a1
IBC-TT-PO-521	With Pocket

Compatibility with other manufacturers is available

DUCT TEMPERATURE SENSORS

A direct output temperature sensor used for measuring air temperature in ducts.

Part Number	Description
IBC-TB/TI-S	Trend/Honeywell/Thorn/New Cylon Systems 10k3a1

Compatibility with other manufacturers is available

OUTSIDE TEMPERATURE SENSORS

A direct output temperature sensor used for measuring air temperature in ducts.

Part Number	Description
IBC-TB/TO	Trend/Honeywell/Thorn/New Cylon Systems 10k3a1

Compatibility with other manufacturers is available

CLAMP-ON TEMPERATURE SENSORS

A direct output temperature sensor used for measuring pipe temperature.

Part Number	Description
IBC-TB/TC	Trend/Honeywell/Thorn/New Cylon Systems 10k3a1

Compatibility with other manufacturers is available

FLYING LEAD TEMPERATURE SENSORS

A low cost direct output temperature sensor used for measuring air temperature, i.e. in fan-coil units etc.

Part Number	Description
IBC-TF	Trend/Honeywell/Thorn/New Cylon Systems Standard 2m Version 10k3a1

Compatibility with other manufacturers is available

ROOM/SPACE TEMP. SENSOR

A direct output temperature sensor used for measuring air temperature in indoor spaces.

Part Number	Description
IBC-TB/TS	Trend/Honeywell/Thorn/New Cylon Systems 10k3a1

Compatibility with other manufacturers is available



AXIO



ACTIVE TEMPERATURE SENSORS

The AX-TE-xTX-W range of active temperature sensors. Offering an advanced, versatile method for the monitoring of temperature, in a variety of applications.

Jumper selectable output ranges cover an incredible -50°C to +400°C and the unit offers both 0-10V & loop powered 4-20mA output in the same unit.

Part Number	Description
AX-TE-DTX-W	Duct - 150mm Probe
AX-TE-FTX-W	Flying Lead Active Sensor
AX-TE-ITX-W	Immersion - 150mm Probe
AX-TE-ITX-W-65	Immersion - 65mm Probe
AX-TE-OTX-W	Outside Air
AX-TE-RTX-W	Room
AX-TE-STX-W	Pipe Strap - 2 Meter

RH & T TRANSMITTERS

The AX-RHT-3 range of RH&T Transmitters are designed for high accuracy relative humidity and temperature measurement, having selectable analogue output of both values.

Part Number	Description
AX-RHT-S	Room version 2.5% Acc
AX-RHT-D3	Duct version 3% acc
AX-RHT-O3	Outside version 3% acc
AX-RHT-S2	Room version 2% acc
AX-RHT-D2	Duct version 2% acc
AX-RHT-O2	Outside version 2% acc
AX-RHT-SD	Room version 2.5% Acc c/w display

Thermistor type version also available on request

ALCO FROST THERMOSTATS

Frost thermostat with 6 metre capillary sensor. Application for frost protection for example on air-conditioning systems to prevent the build up of ice on filters, fans and coils etc.

Part Number	Description
TSA-A2P	Auto reset
TSA-R2P	Manual reset



Speak with our team
about any large projects



Order before 2pm for
same day dispatch

ALRE RANGE. 15AMP RATED SPDT. IP43 PROTECTION AUTO RESET SINGLE THERMOSTAT AUTO RESET

In heating technology this unit is used in boiler systems or in thermal accumulators, heating transfer stations and heating transfer systems. Used in ventilation technology as for monitoring supply air or as a limiter in electrical heating registers.

Part Number	Range (°C)	Diff (°C)	Length (mm)
RTKSA-001-100	0-50	1.3	120
RTKSA-001-200	0-120	3	100
RTKSA-001-301	20-150	3.3	100

NOTE: thermostats as standard complete with pocket. Stainless steel available on request.

ALRE RANGE. 15AMP RATED SPDT. IP43 PROTECTION SINGLE THERMOSTAT MANUAL RESET

In heating technology this unit is used in boiler systems or in thermal accumulators, heating transfer stations and heating transfer systems. Used in ventilation technology as for monitoring supply air or as a limiter in electrical heating registers.

Part Number	Range (°C)	Length (mm)
RTKSA-002-410	30-110	100

ALRE RANGE. 15AMP RATED SPDT. IP43 PROTECTION DUAL THERMOSTAT

In heating technology this unit is used in boiler systems or thermal accumulator systems, heating transfer stations and heating transfer systems.

Part Number	Range (°C)	Limit (°C)	Reset
RTKSA 014-210	0-120	0-120	Thermal
RTKSA 013-210	0-120	20-150	Hand

alre



Accurate and Reliable Airflow measurement for your demanding HVAC applications



Airflow measurement is not a one size fits all application, your solution for accurate and reliable airflow measurement shouldn't be either.

- Field Characterization
- Zero Calibration Function
- Robust Sensor Design

ELECTRA-flo 5 Series
Thermal Airflow Measurement System



OAM II
Outdoor Airflow Measurement System & Airflow Station



VOLU-probe and Veltron transmitter
Pitot Airflow Measurement System



Learn more about our products
AIRMONITOR.COM/HVAC • 800-AIR-FLOW

Represented locally by





Light & Occupancy

LL - LIGHT LEVEL SENSORS

Our range of light level sensors output a linear 0-10Vdc signal representing the lux level at the sensor element. This is typically used in lighting strategies to optimise energy efficiency through dimming and/or disabling of lights as required.

The LL-P-V has two selectable ranges of 10 to 2000 and 10 to 10,000. The LL-C-V has a fixed range of 10 to 2000 lux.

Part Number	Description
LL-P-V	External Light Level Sensor

Technical data

Sensor reference	Photo-diode
Accuracy	±5% across range
Ranges (selectable)	0 to 2000 Lux 10 to 10,000 Lux
Output	0-10Vdc
Supply	24Vac/dc
Dimensions	125 x 105 x 85mm
Protection	IP65

Part Number	Description
LL-C-V	Ceiling Mounted Internal, Light Level Sensor

Technical data

Sensor reference	Photo-diode
Accuracy	±5% across range
Ranges (selectable)	10 to 2000 Lux
Output	0-10Vdc
Supply	24Vac/dc
Dimensions	76mm (dia.) x 95mm (H)
Protection	IP30

LL-C-M - LIGHTING AND OCCUPANCY CONTROLLER

Designed to give savings over uncontrolled lighting. A passive infra-red detector monitors occupancy through moving body heat and a photosensitive device monitors light level. This will ensure that lighting is only switched on when the area covered is occupied and the light level is too low for normal working conditions.

Part Number	Description
LL-C-M	230Vac. flush ceiling mounted light level and occupancy controller

OC - OCCUPANCY DETECTORS

Using passive infra-red detection, the OC-x-LV range of occupancy detectors monitors occupation through moving body heat which activates the internal SPDT relay.

The OC-C-LVN is for flush mounting through a false ceiling using the clips provide. An LED indicates detection, this flashes every 2 seconds on detection. The LED will be off when no occupancy is detected.

Part Number	Description
OC-C-LVN	Ceiling Mounted, PIR Occupancy Detector

The OC-W-LV can be directly fixed to a wall or mounted using the angled bracket supplied.

Part Number	Description
OC-W-LV	Wall Mounted, PIR Occupancy Detector

The OC-C-M is an active motion detector for direct ceiling mounting. It emits high-frequency electro-magnetic wave (5.8GHz). It detects the change in echo from even the slightest movement in its detection zone.

Part Number	Description
OC-C-M	Ceiling Mounted, Microwave Occupancy Detector

LIGHT LEVEL AND OCCUPANCY DETECTORS

A range of low cost Light Level and Occupancy Sensors for surface, flush and wall mounting. There are switched live and volt free output variants the light level can be switched off if required. Mains and low voltage variants.

Part Number	Description
AX-OCF-230F	Switched live output, 230v, flush mounted
AX-OCF-230S	Switched live output, 230v, surface mounted
AX-OCF-230W	Switched live output, 230v, wall mounted
AX-OCF-230-FVF	VFC output, 230v, flush mounted
AX-OCF-230-SVF	VFC output, 230v, surface mounted
AX-OCF-24-FVF	VFC output, 24v, flush mounted
AX-OCF-24-SVF	VFC output, 24v, surface mounted

Sontay[®]



AXIO



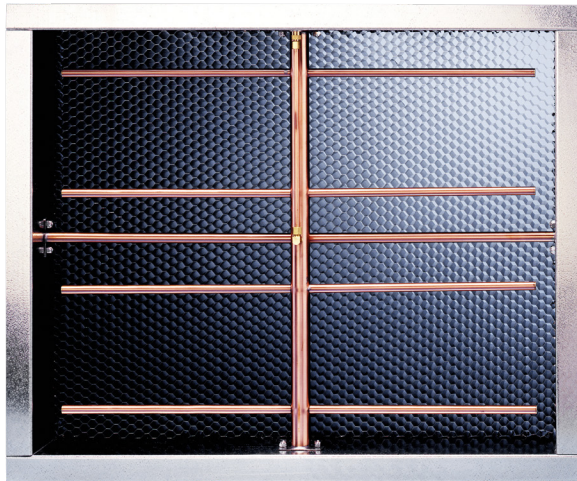
Speak with our team
about any large projects



Order before 2pm for
same day dispatch



Air Pressure & Velocity



FAN-EVALUATOR Airflow Measuring Station

The FAN-E is a multi-point, self-averaging Pitot traverse station with integral air straightener-equalizer honeycomb cell, capable of continuously measuring fan discharges or ducted airflow with an accuracy of 2% or better.

The FAN-E derives its high degree of measurement accuracy from a combination of precision sensor locations, honeycomb airflow processing, pneumatic averaging of a large number of sensed airflow pressures, and patented "symmetrical averaging" (Patent No. 3,685,355), which requires that all stages in the averaging process occur at a point where there is a balanced array of sensors present, thereby assuring that each sensed pressure is given the same "equal weight" in the averaging process as other sensed pressures.



S.O.A.P. Static Outside Air Probe

To optimize the performance of the S.O.A.P., it must be located away from all structures and obstacles of sufficient size to create a wind induced pressure envelope. Typical locations are on an elevated position in an outdoor parking lot, in a below ground recess (landscaped or lawn area), away from buildings, in a below ground location like a parking garage with non-forced ventilation, or on a rooftop mounted pole sufficiently elevated to be outside any anticipated wind induced pressure envelope.

The perforations located on the entering air edges of the parallel plates act as a means of diffusing the entering airflow to minimize the effect of non-horizontal flow on the sensor performance, thereby permitting entry flows with approach angles up to 60° from the horizontal without affecting the accuracy of the pressure measurement. The perforations located near the center of the bottom plate opposite the signal connection serve to relieve the venturi effect that will develop with higher airflow rates (winds) through parallel plates, thereby permitting non-pulsating sensing in the presence of high wind gusts.

Accurate airflow measurement
for demanding applications



Speak with our team about any bespoke requirements from Air Monitor

AV - MULTI-POINT AIR VELOCITY PROBES

The AV-EP and the AV-MPS velocity probes are used to ensure that recommended flow rates for public buildings and industrial plants are achieved. They are used with either the PA-DPT, PA-65x, PA-699 or PA-267 Air Differential Pressure Sensor of an appropriate range.

Part Number	Description
AV-EP-100	100mm - Multi-point Probe (ABS)
AV-EP-200	200mm Multi-point Probe (ABS)
AV-EP-300	300mm Multi-point Probe (ABS)
AV-EP-400	400mm Multi-point Probe (ABS)
AV-EP-500	500mm Multi-point Probe (ABS)
AV-EP-600	600mm Multi-point Probe (ABS)
AV-MPS-700	To suit duct size of 600-700mm
AV-MPS-800	To suit duct size of 700-800mm
AV-MPS-1000	To suit duct size of 750-1000mm
AV-MPS-1250	To suit duct size of 1000-1250mm

PA-699 - MULTI-RANGE AIR DP SENSOR

Sontay's range of field selectable multi-range differential pressure transmitters, incorporate a proven ceramic fulcrum lever technology for pressure measurement. The PA-699 has three field selectable ranges in one unit, providing versatility for a multitude of applications.

Part Number	Description
PA-699-01	± 30 , ± 50 & ± 100 Pa, 4-20mA Multi Range, Bi-directional
PA-699-02	0 to 30, 50, 100Pa, 4-20mA Multi Range
PA-699-04	0 to 100, 300, 500Pa, 4-20mA Multi Range
PA-699-06	0 to 500, 1000, 1600Pa, 4-20mA Multi Range
PA-699-08	0 to 1600, 2500, 5000Pa, 4-20mA Multi Range

ACCESSORIES

Part Number	Description
DFK	Duct fixing kit
TEE	Tee piece air pressure (pack of 10)
PITOT	Aluminum Pitot Tubes (Pair)
PA-TUBE-CLEAR	PVC tube 8mm o/d x 1.5mm wall, 30m reel
PA-TUBE-RED	Red PVC tube 8mm o/d x 1.5mm wall, 30m reel
PA-TUBE-BLUE	Blue PVC tube 8mm o/d x 1.5mm wall, 30m reel
PA-BRK	DIN-rail bracket
PA-699-CAL *	Calibration certificate

* This option must be specified at time of sensor order. They are built to order and not available ex-stock.

Part Number	Description
-V	0-10V voltage output
-LCD	Integral LCD option

Suffixes (add to part code)





PA-DPT - MULTI-RANGE AIR DIFFERENTIAL PRESSURE TRANSMITTER

The PA-DPT differential pressure transmitter is ideal for measuring filter conditions, as well as many other applications in ventilation/air conditioning systems in buildings, laboratory's and clean rooms (air and non-corrosive gases). Featuring field-selectable output signals (3-wire 4-20mA, 0-10Vdc or 2-10Vdc) and 8 pressure ranges, unidirectional or bi-directional via jumpers. An optional LCD display is also available.

Part Number	Description
PA-DPT-01	±30, ±50 & ±100Pa, 4-20mA Multi Range, Bi-directional
PA-DPT-01-HA	0 to 30, 50, 100Pa, 4-20mA Multi Range
PA-DPT-02	0 to 100, 300, 500Pa, 4-20mA Multi Range

Part Number	Description
-LCD	Integral LCD display

Suffixes (add to part code)

PA-65 - MULTI-CONFIGURABLE AIR DP SENSOR

The PA-65-x pressure transducers sense differential or gauge (static) pressure and convert this pressure difference to a proportional electrical output for either field selectable unidirectional or bi-directional pressure ranges. The PA-65-x series is offered with field selectable ranges and analogue outputs of 0 to 5Vdc, 0 to 10Vdc, or 4 to 20mA.

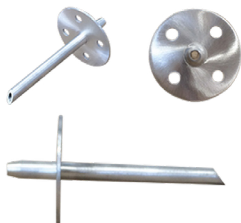


Part Number	Description
PA-65-0	0 to 50, 100, 150, 200Pa bi-directional ±50, ±100, ±150, ±200Pa
PA-65-1	0 to 250, 500, 750, 1000Pa bi-directional ±250, ±500, ±750, ±1000Pa
PA-65-2	0 to 750, 1500, 2250, 3000Pa bi-directional ±750, ±1500, ±2250, ±3000Pa

Part Number	Description
-CL	Clear Lid (LCD visible)
-S	Static pressure probe

Suffixes (add to part code)

ACCESSORIES FOR BOTH PA-DPT & PA-65



Part Number	Description
DFK	Duct fixing kit
TEE	Tee piece air pressure (pack of 10)
PITOT	Aluminum Pitot Tubes (Pair)
PA-TUBE-CLEAR	PVC tube 8mm o/d x 1.5mm wall, 30m reel

NOTES: A duct fixing kit (DFK) is supplied with the sensor, consisting of 2m of 5mm i/d plastic tubing, 2 x pitot tubes and 4 x fixing screws.

PA-267 - AIR DP SENSORS

The PA-DPT differential pressure transmitter is ideal for measuring filter conditions, as well as many other applications in ventilation/air conditioning systems in buildings, laboratory's and clean rooms (air and non-corrosive gases). Featuring field-selectable output signals (3-wire 4-20mA, 0-10Vdc or 2-10Vdc) and 8 pressure ranges, unidirectional or bi-directional via jumpers. An optional LCD display is also available. Sensor types 01 & 02 have manual re-zero facility whereas the 01-HA version has an auto zero function for automatic zero point calibration making it a virtually maintenance free sensor.

Part Number	Description
PA-267-25	0 to 25Pa 4-20mA Transmitter
PA-267-50	0 to 50Pa 4-20mA Transmitter
PA-267-100	0 to 100Pa 4-20mA Transmitter
PA-267-300	0 to 300Pa 4-20mA Transmitter
PA-267-500	0 to 500Pa 4-20mA Transmitter
PA-267-1000	0 to 1000Pa 4-20mA Transmitter
PA-267-1600	0 to 1600Pa 4-20mA Transmitter
PA-267-2500	0 to 2500Pa 4-20mA Transmitter
PA-267-3000	0 to 3000Pa 4-20mA Transmitter

ACCESSORIES

Part Number	Description
DFK	Duct fixing kit
TEE	Tee piece air pressure (pack of 10)
PITOT	Aluminum Pitot Tubes (Pair)
PA-TUBE-CLEAR	PVC tube 8mm o/d x 1.5mm wall, 30m reel
PA-TUBE-RED	Red PVC tube 8mm o/d x 1.5mm wall, 30m reel
PA-TUBE-BLUE	Blue PVC tube 8mm o/d x 1.5mm wall, 30m reel
PA-267-CAL *	Calibration certificate

Part Number	Description
-V	0-10V voltage output
-B	Bi-directional
-AH	High accuracy
-LCD *	Integral LCD display

Suffixes (add to part code)

* These options must be specified at time of sensor order. A duct fixing kit (DFK) is supplied with the sensor, consisting of 2m, 5mm i/d plastic tubing, 2 x pitot tubes and 4 x fixing screws.

Sontay[®]



Speak with our expert
BMS engineers today



Online training available
please speak with our team



PA-DPS - AIR DP SWITCH

These are highly sensitive air differential pressure switches, suitable for providing an indication of fan status and 'dirty filter' conditions. The switching setpoint is adjusted by means of a knob mounted under the main cover. Units are supplied complete with a duct fixing kit.

Part Number	Description	
IP54 Housing		
PA-DPS-88	0 to 25Pa	4-20mA Transmitter
PA-DPS-83	0 to 50Pa	4-20mA Transmitter
PA-DPS-85	0 to 100Pa	4-20mA Transmitter
PA-DPS-90	0 to 300Pa	4-20mA Transmitter
PA-DPS-91	0 to 500Pa	4-20mA Transmitter
PA-DPS-92	0 to 1000Pa	4-20mA Transmitter

ACCESSORIES

Part Number	Description
PA-DPS-B	Right angled mount bracket (PA-DPS-88 only)

Part Number	Description	
IP65 Housing		
PA-DPS-90W	0 to 25Pa	4-20mA Transmitter
PA-DPS-91W	0 to 50Pa	4-20mA Transmitter
PA-DPS-92W	0 to 100Pa	4-20mA Transmitter
PA-DPS-94W	0 to 300Pa	4-20mA Transmitter

ACCESSORIES

Part Number	Description
DFK	Duct fixing kit
TEE	Tee piece air pressure (pack of 10)
PITOT	Aluminum Pitot Tubes (Pair)
PA-TUBE-CLEAR	PVC tube 8mm o/d x 1.5mm wall, 30m reel
PA-TUBE-RED	Red PVC tube 8mm o/d x 1.5mm wall, 30m reel
PA-TUBE-BLUE	Blue PVC tube 8mm o/d x 1.5mm wall, 30m reel

NOTE: A duct fixing kit (DFK) is supplied with the switch, consisting of 2m of 5mm i/d plastic tubing, 2 x pitot tubes and 4 x fixing screws.



Speak with our team
about any large projects



Order before 2pm for
same day dispatch

Liquid Level, Flow & Pressure

PL-PSA - LIQUID PRESSURE SWITCH

Adjustable pressure switches, suitable for the monitoring of flow failure and proving in pumps, chillers, valves etc. Units have an adjustable setpoint and differential.

Part Number	Description
PL-PSA-1	-0.75 to +3 bar
PL-PSA-2	-0.8 to +1.5 bar
PL-PSA-3	-0.5 to +7 bar

ACCESSORIES

Part Number	Description
PL-PIG	2m of 6mm copper tubing + fitting
BRK	Bracket for PL-PSAx

PL-FD113 - LIQUID DP SWITCH

Liquid differential pressure switch suitable for monitoring flow status across pumps, chillers, valves etc. The switch has an adjustable set point from 0.3 to 4.5 bar with a fixed differential of 0.2 bar.

Part Number	Description
PL-FD113	0.3 to 4.5 bar Liquid DP Switch

ACCESSORIES

Part Number	Description
PL-FD113-PIG	Connection Kit

NOTE:

A mounting bracket is supplied with the switch. The PL-FD113-PIG consist at 2m of 6mm copper tubing and 4 x compression fittings (¼")

Sontay[®]





ONICON
Flow and Energy Measurement

Need To Monitor Flow But unable to shut your system down?






ONICON offers a variety of insertion style meters that can be hot-tapped and inserted in a *live* system. From chilled water to steam, we have the right meter for your application.

onicon.com



PL-52X - STATIC PRESSURE SENSORS

The PL-525 static pressure sensors are suitable for use with a large range of liquids and gases compatible with the FPM (Viton) seal. The pressure transmitter is based on proven ceramic technology for exceptional performance speed and reliability. PL-520 pressure sensor is based upon thick film technology where the pressure cell is fully welded. This sensor meets the high burst protection demands and is suitable for a wide range of applications.

FEATURES

- Compact rugged construction
- Negligible temperature influence on accuracy
- IP65 protection
- Electrical terminals and gland to DIN EN175 301-803-A
- Supply short circuit & polarity reversal protection

Part Number	Description	
4-20mA Output (2-wire loop powered)		
PL-525-0.1	0 to 100 mbar	Low Pressure
PL-525-0.2	0 to 200 mbar	
PL-525-0.3	0 to 300 mbar	
PL-525-0.6	0 to 600 mbar	
PL-520-1	0 to 1 bar	
PL-520-1.6	0 to 1.6 bar	
PL-520-2.5	0 to 2.5 bar	
PL-520-4	0 to 4 bar	
PL-520-6	0 to 6 bar	
PL-520-10	0 to 10 bar	
PL-520-16	0 to 16 bar	
PL-520-25	0 to 25 bar	
PL-520-40	0 to 40 bar	

Part Number	Description	
0-10Vdc Output		
PL-525-0.1-V	0 to 100 mbar	Low Pressure
PL-525-0.2-V	0 to 200 mbar	
PL-525-0.3-V	0 to 300 mbar	
PL-525-0.6-V	0 to 600 mbar	
PL-520-1-V	0 to 1 bar	
PL-520-1.6-V	0 to 1.6 bar	
PL-520-2.5-V	0 to 2.5 bar	
PL-520-4-V	0 to 4 bar	
PL-520-6-V	0 to 6 bar	
PL-520-10-V	0 to 10 bar	
PL-520-16-V	0 to 16 bar	
PL-520-25-V	0 to 25 bar	
PL-520-40-V	0 to 40 bar	

ACCESSORIES

Part Number	Description
PL-HS	Pressure Transmitter Heat Sink
PL-525-CAL *	Calibration certificate
PL-520-CAL *	Calibration certificate

NOTE:

1. Heat Sink PL-HS can be used where media has a higher temperature than the sensor allows.
2. *This option must be specified at the time of sensor order. It is built to order and not available ex-stock.



Speak with our expert
BMS engineers today



Online training available
please speak with our team

PL-630-A - DIFFERENTIAL PRESSURE SWITCH

Ideal for flow monitoring and proving applications in heating, ventilating and air-conditioning systems.

Part Number	Description
PL-630-A-0.02	6 to 20 mbar Liquid DP Switch
PL-630-A-0.06	15 to 60 mbar Liquid DP Switch
PL-630-A-0.2	40 to 200 mbar Liquid DP Switch
PL-630-A-1	0.15 to 1 bar Liquid DP Switch
PL-630-A-3	1 to 3 bar Liquid DP Switch
PL-630-A-5.5	2 to 5.5 bar Liquid DP Switch

ACCESSORIES

Part Number	Description
PL-630-PIG	Connection Kit

NOTE: The PL-630-PIG consist at 2m of 6mm copper tubing and 4 x compression fittings (2x1/8" + 2x1/4")

PL-692 - DIFFERENTIAL PRESSURE SENSOR

For high accuracy and close control applications, the PL-692 features ceramic sensing technology for exceptional accuracy and reliability. The amplified sensing technologies allow high temperature stability and no creepage associated with mechanical systems.

Part Number	Part Number	Description
4-20mA Output (2-wire loop powered)	0-10Vdc Output	
PL-692-0.1	PL-692-0.1-V	0 to 100 mbar Liquid DP Sensor
PL-692-0.2	PL-692-0.2-V	0 to 200 mbar Liquid DP Sensor
PL-692-0.4	PL-692-0.4-V	0 to 400 mbar Liquid DP Sensor
PL-692-1	PL-692-1-V	0 to 1 bar Liquid DP Sensor
PL-692-2.5	PL-692-2.5-V	0 to 2.5 bar Liquid DP Sensor
PL-692-4	PL-692-4-V	0 to 4 bar Liquid DP Sensor
PL-692-6	PL-692-6-V	0 to 6 bar Liquid DP Sensor
PL-692-10	PL-692-10-V	0 to 10 bar Liquid DP Sensor
PL-692-16	PL-692-16-V	0 to 16 bar Liquid DP Sensor

ACCESSORIES

Part Number	Part Number	Description
PL-692-CAL *		Calibration certificate

NOTE: A mounting bracket is supplied with the sensor.

* This option must be specified at the time of sensor order. It is built to order and not available ex-stock.

Sontay®



IBC stock over 2500 products
ready for immediate delivery



Serving the (BMS & HVAC)
Industry since 2005



LS-CAP - CAPACITANCE LEVEL SENSORS

These sensors are designed for level measurement in tanks or sumps providing a 4-20mA output relating to the level of fluid in the tank. The LS-CAP-1 is suitable for conducting liquids such as water whilst the LS-CAP-2 is designed for use with clean, low viscosity non-conducting liquids, such as oil.

Part Number	Description
Conducting Liquids	
LS-CAP-1-0.5	0.5m Probe
LS-CAP-1-1.0	1.0m Probe
LS-CAP-1-1.5	1.5m Probe
LS-CAP-1-2.0	2.0m Probe
LS-CAP-1-2.5	2.5m Probe
LS-CAP-1-3.0	3.0m Probe

Part Number	Description
Non-conducting Liquids	
LS-CAP-2-0.5	0.5m Probe
LS-CAP-2-1.0	1.0m Probe
LS-CAP-2-1.5	1.5m Probe
LS-CAP-2-2.0	2.0m Probe
LS-CAP-2-2.5	2.5m Probe
LS-CAP-2-3.0	3.0m Probe

LS-UT - ULTRASONIC LEVEL TRANSMITTER

The LS-UT provides accurate level measurement where non-contact level monitoring is the preferred option. The output represents the distance between the surface of the liquid being detected and the transmitter. It has a user programmable measuring range of up to 8 meters.

Part Number	Description
LS-UT	Ultrasonic Level Transmitter

LS-541 - FLOAT SWITCH

The LS-541 is intended to monitor the liquid level in a tank or vessel and provides a switched output for local alarm, pump or valve control. The differential between switching is equivalent to approximately 15mm. The unit mounts into 1" BSPT female boss. Access is not required from the inside of the tank.

Part Number	Description
LS-541	1" BSPT Float Switch (horizontal mount)

LS-FL - LIQUID LEVEL FLOAT SWITCHES

The LS-FL series is a range of level switches suitable for single or multi-level applications where access is only available from the top surface or where multiple level sensing is desired from a single penetration. Units consist of a float, which is suspended from a weighted cable. As the liquid level changes, the float follows the surface level, at the same time tilting due to its weighted restraint. Inside the float are a number of micro switches which trigger as the float tips.

Part Number	Description
LS-FL-1H	High Level, Alarm Switch
LS-FL-1L	Low Level, Alarm Switch
LS-FL-2H	Emptying Pump, Control Switch
LS-FL-2L	Filling Pump, Control Switch
LS-FL-2LH	High & Low Level Alarm Switch

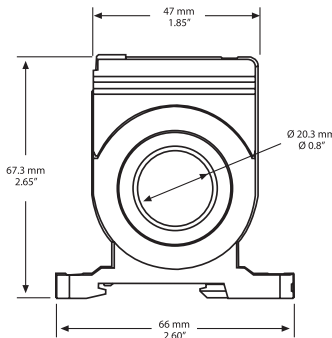
Power Sensors

SWITCHES

- Solid or split-core
- Auto-ranging eliminates lost jumpers
- Self-powered and no insertion loss
- True digital switching with zero leakage
- Small compact size
- Fixed or field adjustable models
- Input / output isolation via current transformer

SENSORS

- Solid or split-core
- No field adjustment necessary, factory calibrated
- 0-5 Vdc or 4-20 mA models
- Average measurements or True RMS
- Input / output isolation via current transformer
- Small compact Size



ENCLOSED SOLID CORE CURRENT SWITCH A/MCS VERSION



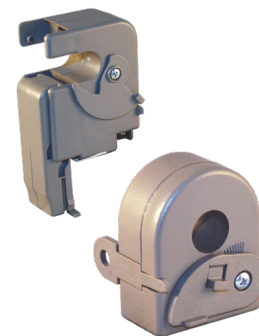
Part Number	Description
A/MCS	Current Switch, Fixed Version, Solid Core
A/MCS-A	Current Switch, Adjustable Version, Solid Core



ENCLOSED SOLID CORE CURRENT SWITCH RIB VERSION



Part Number	Description
RIBXKTF	Current Switch Fixed Version, Solid Core
RIBXKTA	Current Switch Adjustable Version Solid Core
RIBXGTA-SCAL	Split Core Unique Self Calibrating Current Switch



Working Together to Improve Indoor Air Quality

NOW AVAILABLE FROM IBC

